

RAPID

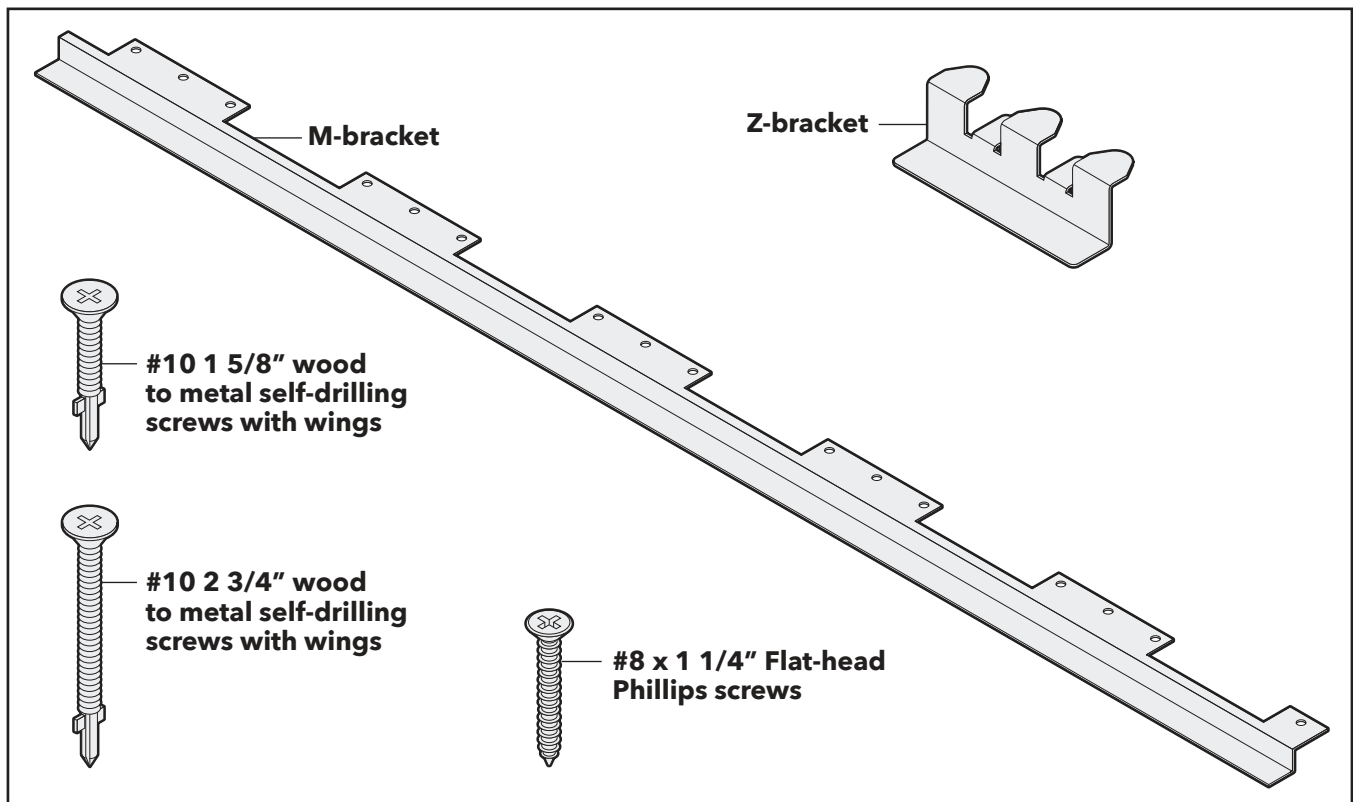
RECESS

Model: RR25SF

Parts Included

Metal brackets for lowering plywood floors for curbless shower pan

Material: 16 gauge galvanized steel



Installation Kit Includes

- M bracket—47 3/8" long main bracket fastened to the top of floor joists (x10)
- Z bracket—5" long side bracket used for wall to recess and main floor to recess transitions (x30)
- #10 1 5/8" wood to metal self-drilling screws with wings (2 packages of 80 pieces)
- #10 2 3/4" wood to metal self-drilling screws with wings (x40)
- #8 x 1 1/4" Flat-head Phillips screws (x60)

Testing

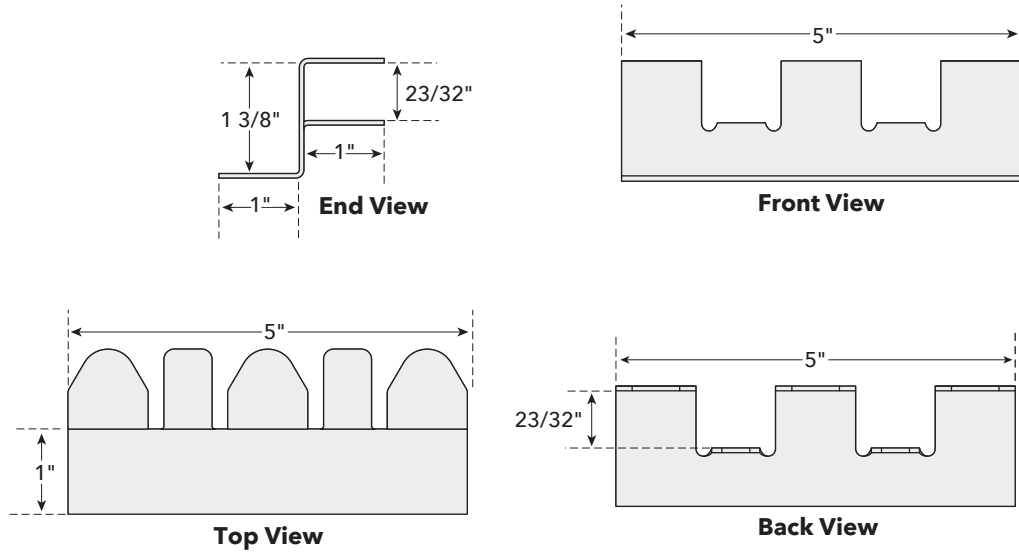
All RR kits and accessories have undergone thorough testing and passed Robinson Test C627 for floor assemblies

RAPID

RECESS

Dimensions (Z-bracket)

All measurements +/- 1/32"



Dimensions (M-bracket)

All measurements +/- 1/32"

